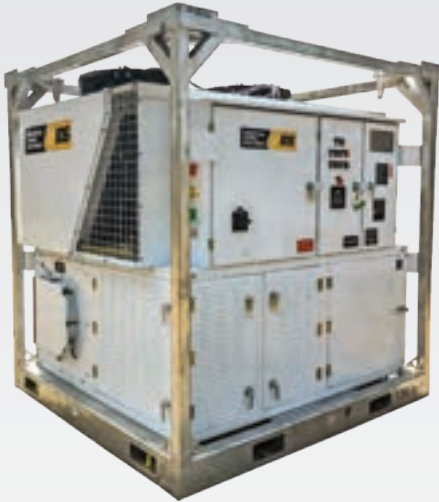


45 TON INDUSTRIAL RENTAL AC UNIT WITH HEAT & DH MODES

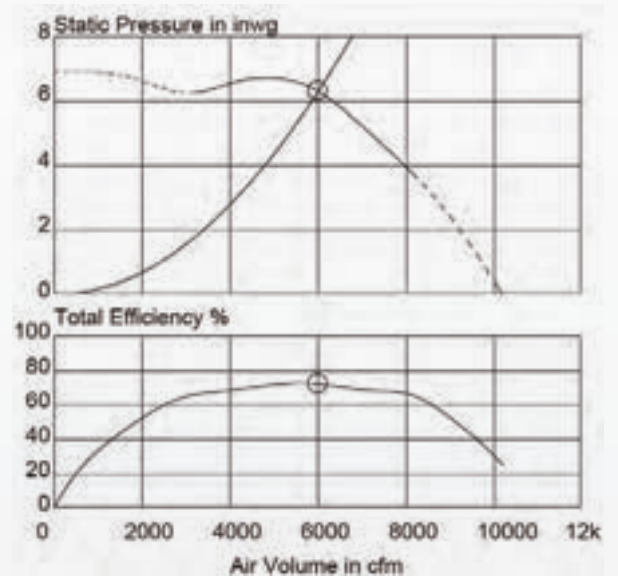


GENERAL

Duct/Hose Connections	(2) 20" Supply / (2) x 20" Return
Unit Dimensions	88" L x 96" W x 99.75" H
Unit Ship Weight	7,200 lbs
Filter Size	(2) 25 x 28 x 2 and (1) 20 x 28 x 2

ELECTRICAL

USA Certification	ETL Certified (in accordance with UL1995)
Canadian Certification	CSA Certified No 236 STD22.2
Single Point Power Supply	460V/3PH/60HZ
Dehumidification Amps	82.0 A
Blower Fan Amps	11.6 A
Unit Minimum Circuit Ampacity	90.0 A
Unit MFS / MOCP	125 A
Connections	Single point Series 16 Cam-Lok connections



800.368.6302
www.idsdrying.com

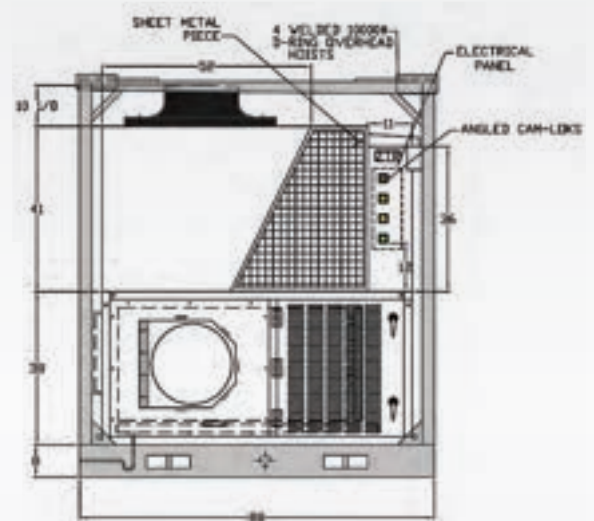
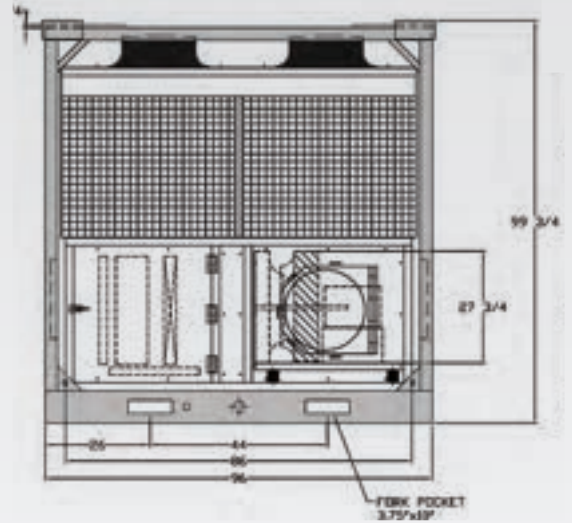


UNIT FEATURES

- Direct drive High Static plenum fan with 10hp TEFC motor
- Maximum rated static pressure of 6.5 in-wg
- Rated air flow of 6000 cfm with 100% Outside Air
- Air flow range of 3,200 – 8,000 cfm
- Stainless steel hardware
- 2 Independent stages of dehumidification
- 2 independent stages of reheat, each stage can be isolated

PACKAGE FEATURES

- Phase monitor and Incorrect phase indicator light (red)
- Circuit Breakers on all motors
- Blower VFD with inline starter and bypass switch
- Speed Potentiometer for Blower VFD to adjust speed from 40Hz to 78Hz
- Full tubular rental frame with fork pockets & tie-down points
 - Hot-dipped galvanized
- Overhead certified lift frame
- Entering and leaving air temperature sensors
- Duct Doors factory installed for all supply/return connections
- Quiet operation
- Manual (hand) option for running stages 1 & 2
- Marked Center of Gravity
- Separate control panel for High Voltage components, 100 V components and customer controls
- Easy to operate PLC controller. Can be controlled via entering air conditions, leaving air conditions, or remotely
- Installed Emergency Stop
- Airflow meter
- Installed static pressure gauge



800.368.6302
www.idsdrying.com

