

30 TON INDUSTRIAL RENTAL AC UNIT WITH HEAT & DH MODES



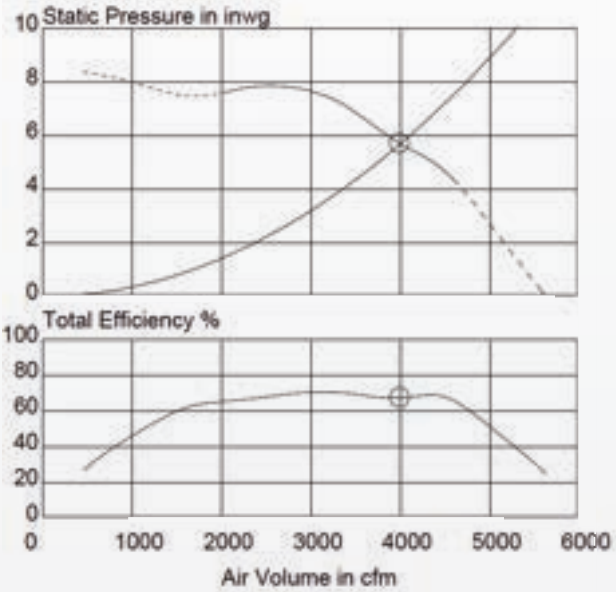
GENERAL

Duct/Hose Connections	(1) 20" Supply / (2) x 20" Return
Blower motor	7.5 hp
Unit Dimensions	97"L x 72"W x 98¼"
Filter Size	(6) 16 x 20 x 2

ELECTRICAL

Certification	ETL, UL 1995 – CSA 236 STD 22.2
Single Point Power Supply	460V/3PH/60HZ
Connections	Single point Series 16 Cam-Lok connections
Cooling only Full Load Amps	54.2 A (460V)
Heating Only Mode	FLA 69
DH Mode Full Load Amps	94.2 A
Unit MCA	114 A
Unit MFS	125 A

BLOWER CURVE

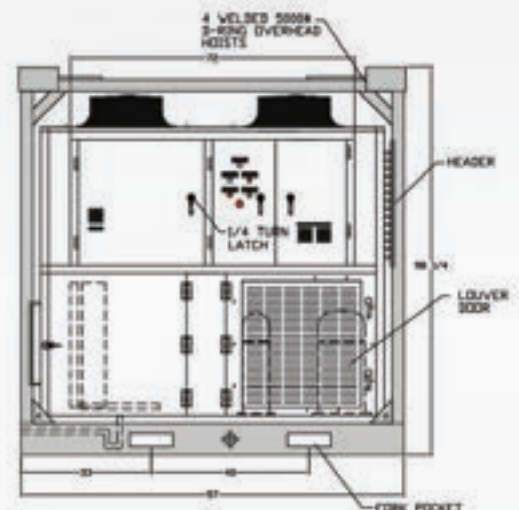
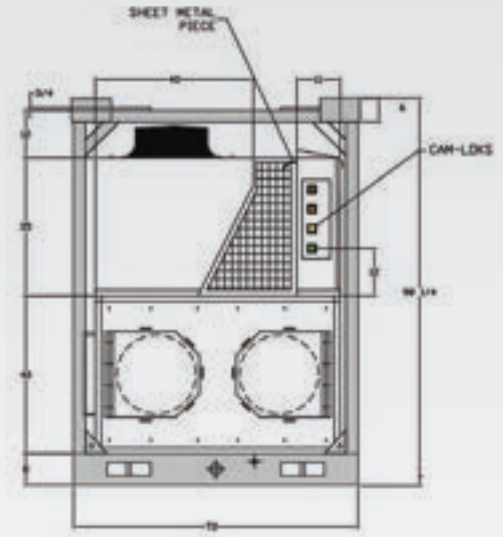


800.368.6302
www.idsdrying.com



FEATURES

- Hermetic scroll compressor/s
- Direct drive High Static plenum fan with 15hp TEFC motor
- Maximum rated static pressure of 6.5 in-wg
- Estimated air flow range of 1,600 – 6,000 cfm
- Hydrophilic coated, non-lanced condenser fins
- Hydrophilic coated evaporator fins
- Stainless steel hardware
- Stainless steel drain pan
- Permanently installed drain pan P-trap (protected within unit base)
- Phase monitor and Incorrect phase indicator light (red)
- Circuit Breakers on all motors
- Blower VFD with inline starter and bypass switch
- Unit heat package:
 - 2 Independent stages, 48KW total
 - 32KW stage 1
 - 16KW stage 2
 - Stainless steel sheathed, hermetically sealed, finned tubular heating elements
- Hot dipped galvanized full tubular rental frame with fork pockets & tie-down points
- Overhead certified lift frame
- Entering and leaving air temperature sensors
- Unit can run in COOLING/HEATING or DH modes
 - Cooling unit may run in HAND (manual) MODE or LOCAL (via PLC control) MODE
 - Unit can control off supply or return air temperature via RS/SA switch
 - In DH mode both stages of cooling and 1 stage heat may operate simultaneously
- Quiet operation



800.368.6302
www.idsdrying.com

